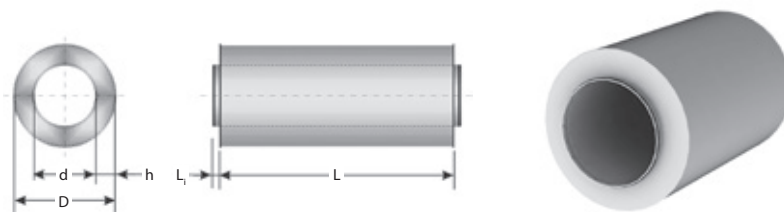


# Apvalūs triukšmo slopintuvai

## Apvalus triukšmo slopintuvai

AGS-d-h-L-M

M – cinkuotas perforuotas lakštinis plienas



Matmenys, mm			Efektyvumas S, dB, esant dažniui F							
d	h	L	63 Hz	125 Hz	250 Hz	500 Hz	1 kHz	2 kHz	4 kHz	8 kHz
100	50	600	4	8	14	26	34	41	45	25
		900	8	11	21	33	48	50	50	28
125	50	600	3	6	12	22	28	37	38	22
		900	5	9	18	30	40	48	43	24
160	50	600	2	5	10	18	23	33	30	19
		900	3	8	16	27	36	47	37	21
200	50	900	2	7	13	24	31	44	31	20
		1200	3	7	14	30	37	46	31	21
	100	600	4	7	12	15	21	31	25	18
		900	7	10	17	21	31	41	30	20
250	50	900	1	6	11	21	27	39	25	19
		1200	2	6	12	27	32	40	26	20
	100	600	3	5	9	12	18	26	20	17
		900	6	8	14	17	27	36	24	20
315	50	900	0	5	9	18	23	32	20	18
		1200	1	5	10	24	28	34	20	19
	100	900	5	7	11	14	25	28	21	18
		1200	7	9	15	18	30	35	23	18
400	50	900	0	4	7	15	19	23	18	17
		1200	0	4	8	21	25	28	19	18
	100	900	3	5	8	11	23	19	17	15
		1200	6	7	11	14	25	23	19	15
500	100	900	3	5	7	10	18	17	16	14
		1200	5	6	10	13	21	20	17	14
630	100	900	2	4	6	10	13	14	14	13
			4	5	9	13	17	17	14	13

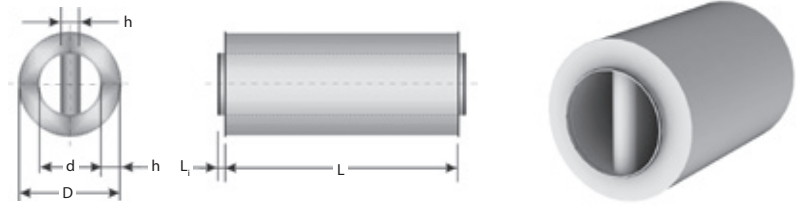
Matmenys, mm			h = 50 mm					
			L = 600 mm		L = 900 mm		L = 1200 mm	
d	L <sub>1</sub>	D	Kodas	Masė, kg	Kodas	Masė, kg	Kodas	Masė, kg
100	40	200	354273002	2,30	354273006	3,30		
125	40	225	354273012	2,70	354273016	3,90		
160	40	260	354273022	3,30	354273026	4,70		
200	40	300	354273037	4,00	354273042	5,60	354273046	7,30
250	40	350	354273202	4,90	354273062	6,80	354273066	8,80
315	40	415			354273082	8,40	354273086	11,00
400	65	500			354273102	11,00	354273106	14,00
500	65	600			354273236	13,00	354273242	17,00
630	65	730			354273256	17,00	354273262	21,00
d			h = 100 mm					
			L <sub>1</sub>	D	Kodas	Masė, kg	Kodas	Masė, kg
200	40	400	354273052	5,20	354273056	7,20		
250	40	450	354273072	6,10	354273076	8,40		
315	40	515			354273092	10,00	354273096	13,00
400	65	600			354273112	12,00	354273116	16,00
500	65	700			354273122	15,00	354273126	19,00
630	65	830			354273132	19,00	354273136	24,00

UŽSAKYMO PAVYZDYS: triukšmo slopintuvai AGS-250-50-900-M.

## Apvalus triukšmo slopintuvas su pertvara

AVGS-d-h-L-M

M – cinkuotas perforuotas lakštinis plienas



Matmenys, mm			Efektyvumas S, dB, esant dažniui F							
d	h	L	63 Hz	125 Hz	250 Hz	500 Hz	1 kHz	2 kHz	4 kHz	8 kHz
315	100	900	5	8	17	30	39	36	25	19
		1200	6	10	21	36	50	47	32	23
400	100	900	4	6	13	24	31	28	20	15
		1200	5	8	17	30	42	37	26	18
500	100	900	3	4	10	20	24	21	15	12
		1200	4	6	14	26	34	29	20	15
630	100	900	2	3	8	17	20	16	12	10
		1200	3	4	11	22	28	23	16	12
710	100	900	1	2	7	16	18	15	11	9
		1200	2	3	10	20	24	19	13	10
800	100	900	1	2	7	15	17	14	10	8
		1200	2	3	10	19	21	17	12	9

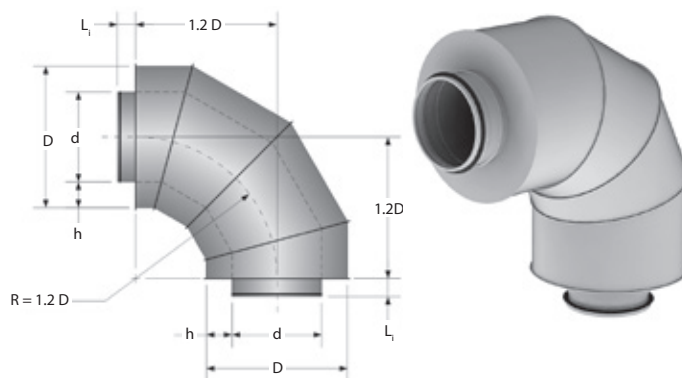
Matmenys, mm			h = 100 mm			
			L = 900 mm		L = 1200 mm	
d	L <sub>1</sub>	D	Kodas	Masė, kg	Kodas	Masė, kg
315	40	515	354273299	17,0	706027241	22,0
400	40	600	706023270	21,0	354273426	27,0
500	40	700	354273444	26,0	354273428	32,0
630	65	830	354273445	32,0	354273366	40,0
710	65	910	706016127	35,0	354273367	45,0
800	65	1000	354273301	40,0	354273284	50,0

UŽSAKYMO PAVYZDYS: triukšmo slopintuvas AVGS-630-100-900-M.

## Apvalus lenktas triukšmo slopintuvas

ALGS-90-d-h-M

M – cinkuotas perforuotas lakštinis plienas



Matmenys, mm			Efektyvumas S, dB, esant dažniui F							
d	h	L <sub>1</sub>	63 Hz	125 Hz	250 Hz	500 Hz	1 kHz	2 kHz	4 kHz	8 kHz
125	50	40	1	2	7	16	33	34	35	27
	100	40	4	7	16	26	30	42	47	39
160	50	40	2	3	7	15	29	37	33	28
	100	40	6	8	17	22	31	45	39	30
200	50	40	1	3	8	20	26	32	30	25
	100	40	3	7	17	25	34	39	37	31
250	50	40	1	2	6	17	30	29	25	23
	100	40	2	5	13	18	31	32	30	25
315	50	40	2	3	7	13	15	15	14	12
	100	40	2	5	14	19	23	21	19	18
400	100	65	5	6	11	17	17	19	17	15
500	100	65	3	6	16	23	17	16	15	12
630	100	65	4	7	16	20	15	14	14	13

Matmenys, mm		h = 50 mm				h = 100 mm			
d	L <sub>1</sub>	D, mm	R, mm	Kodas	Masė, kg	D, mm	R, mm	Kodas	Masė, kg
125	40	225	270	706457346	2,10	325	390	1019483	3,9
160	40	260	312	706452912	2,80	360	432	706455139	4,9
200	40	300	360	706455538	3,80	400	480	706455140	6,2
250	40	350	420	706416271	5,30	450	540	706455141	8,0
315	40	415	498	706452237	7,50	515	618	706455142	11,0
400	65					600	720	706455144	15,0
500	65					700	840	706400074	21,0
630	65					830	996	1028029	29,0

UŽSAKYMO PAVYZDYS: triukšmo slopintuvas ALGS-90-125-50-M.